

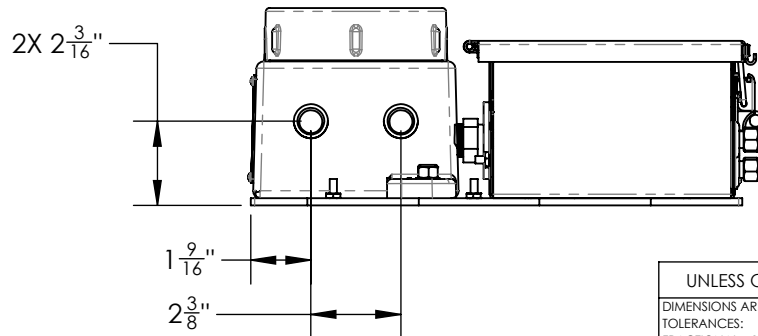
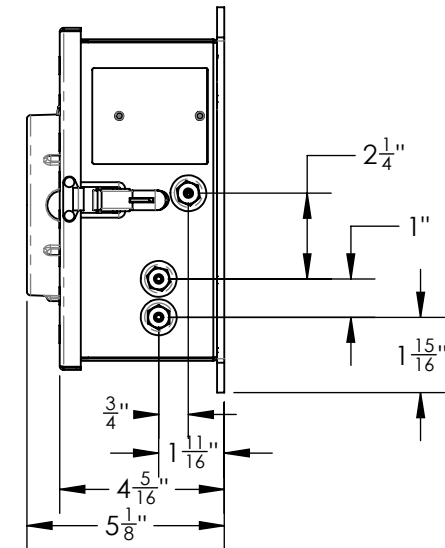
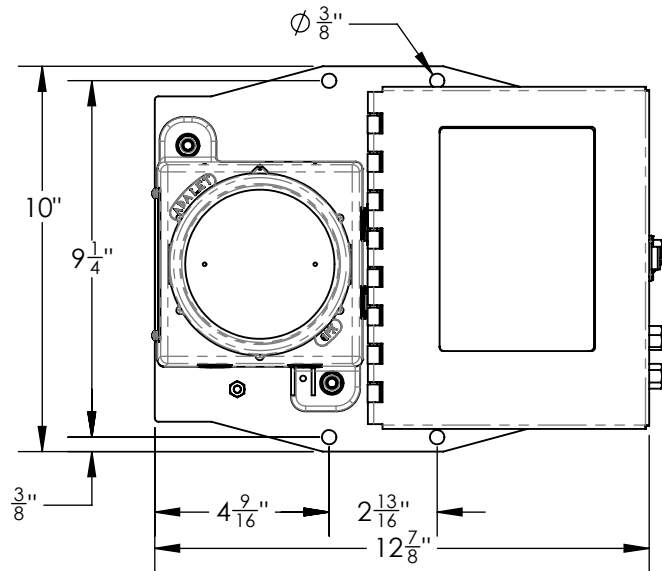
2

1

NOTES: UNLESS OTHERWISE SPECIFIED

REVISIONS

| ZONE | REV. | DESCRIPTION | DATE | APPROVED |
|------|------|-------------|----------|----------|
| | A | NEW RELEASE | 03/23/20 | JR |
| | B | ADDED VIEW | 02/16/21 | JR |



UNCONTROLLED

PROPRIETARY AND CONFIDENTIAL

THIS DOCUMENT IS THE PROPERTY OF ADVANCED MICRO INSTRUMENTS INC. AND IS CONVEYED WITH THE EXPRESS CONDITION THAT IT AND THE INFORMATION CONTAINED IN IT ARE NOT TO BE USED, DISCLOSED, OR REPRODUCED IN WHOLE OR IN PART, FOR ANY PURPOSE WITHOUT THE EXPRESS WRITTEN CONSENT OF ADVANCED MICRO INSTRUMENTS INC. AND THAT NO RIGHT IS GRANTED TO DISCLOSE OR SO USE ANY INFORMATION CONTAINED IN SAID DOCUMENT.

| UNLESS OTHERWISE SPECIFIED: | | NAME | DATE | Advanced Micro Instruments, Inc. | |
|---|--|------------------------|----------|--------------------------------------|--------------|
| DIMENSIONS ARE IN INCHES | | DRAWN | JR | 03/23/20 | |
| TOLERANCES: | | CHECKED | - | - | |
| FRACTIONAL: $\pm 1/32$ | | ENG APPR. | - | - | |
| ANGULAR: $\pm 1^\circ$ | | MFG APPR. | - | - | |
| .x ± 0.050 | | QA APPR. | - | - | |
| .xx ± 0.010 | | THIRD ANGLE PROJECTION | | | |
| .xxx ± 0.005 | | COMMENTS: | | | |
| BREAK EDGES AND REMOVE BURRS: R.005/.005X45* | | - | | | |
| SURFACE FINISH: \checkmark_{64} | | - | | | |
| INTERPRET GEOMETRIC TOLERANCING PER: ANSI Y14.5M-1994 | | - | | | |
| MATERIAL: | | - | | | |
| FINISH: | | - | | | |
| | | E-FILE | | 4DOD3006 | |
| | | TITLE: | | 210BX, 2010BX, & 3010BX Installation | |
| | | SIZE | DWG. NO. | REV | |
| | | A | 4DOD3006 | B | |
| | | SCALE: 1:5 | | WEIGHT: | SHEET 1 OF 1 |

2

1