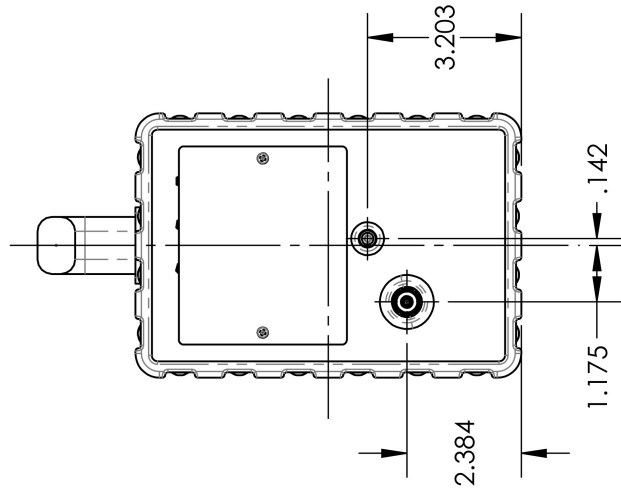
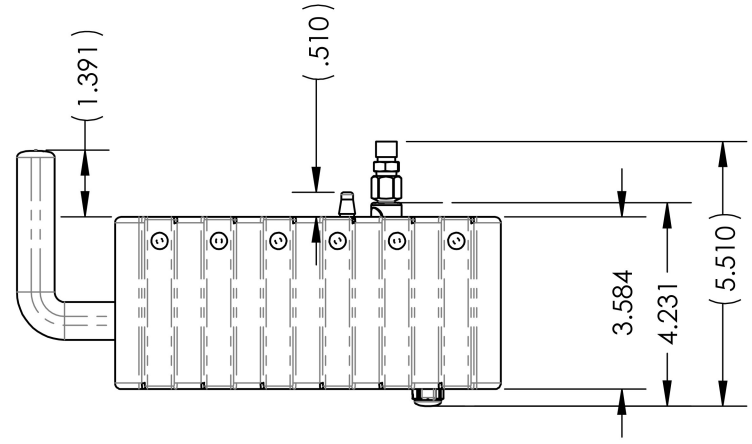
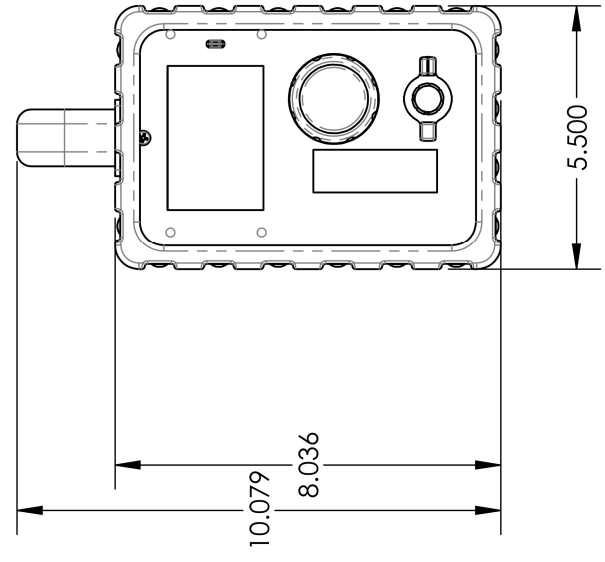


2

B



B

A

Advanced Micro Instruments

TITLE: Model 1000BX

SIZE DWG. NO. REV
A 4ANA1005 **C**

UNLESS OTHERWISE SPECIFIED:	NAME	DATE
DIMENSIONS ARE IN INCHES	FP	8/4/25
BREAK EDGES AND REMOVE BURRS:	CHECKED	-
.005/.005X45°	ENG APPR.	JR 8/4/25
TOLERANCES:	MFG APPR.	-
LINEAR: .X ± 0.050	QA APPR.	-
.XX ± 0.010	THIRD ANGLE PROJECTION	
.XXX ± 0.005	COMMENTS:	
FRACTIONAL: ± 1/32		
ANGULAR: ± 1°		
SURFACE FINISH: 64		
INTERPRET GEOMETRIC TOLERANCING PER: ANSI Y14.5M		
MATERIAL:		
FINISH:		

SCALE: 1:4 WEIGHT: SHEET 4 OF 4

2

1