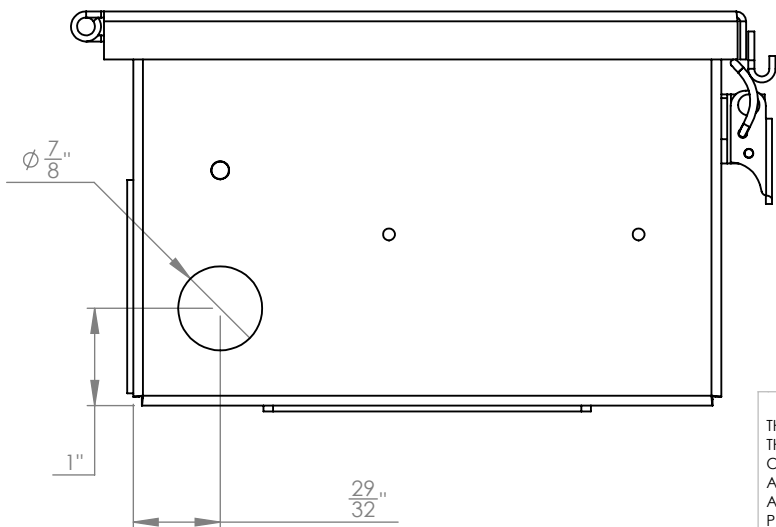
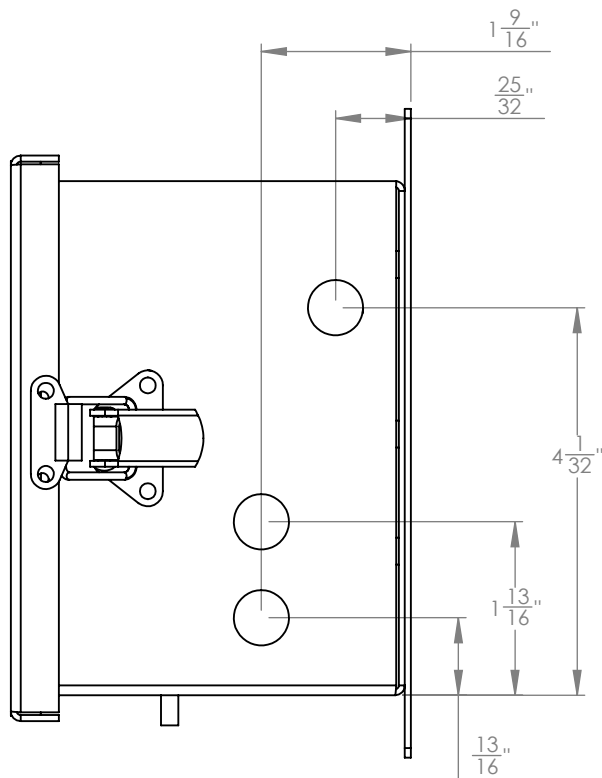


B



**PROPRIETARY AND CONFIDENTIAL**  
 THE INFORMATION CONTAINED IN  
 THIS DRAWING IS THE SOLE PROPERTY  
 OF ADVANCED MICRO INSTRUMENTS.  
 ANY REPRODUCTION IN PART OR AS  
 A WHOLE WITHOUT THE WRITTEN  
 PERMISSION OF  
 ADVANCED MICRO INSTRUMENTS IS  
 PROHIBITED.

COMMENTS:

	NAME	DATE
DRAWN	CDS	9/14/2017
CHECKED	CDS	9/14/17

Advanced Micro Instruments, Inc.

TITLE:

Watchdog Installation

SIZE	DWG. NO.	REV
<b>A</b>	Watchdog Case	<b>A</b>

Scale: 1:2 WEIGHT: SHEET 1 OF 1

2

1

B

A

