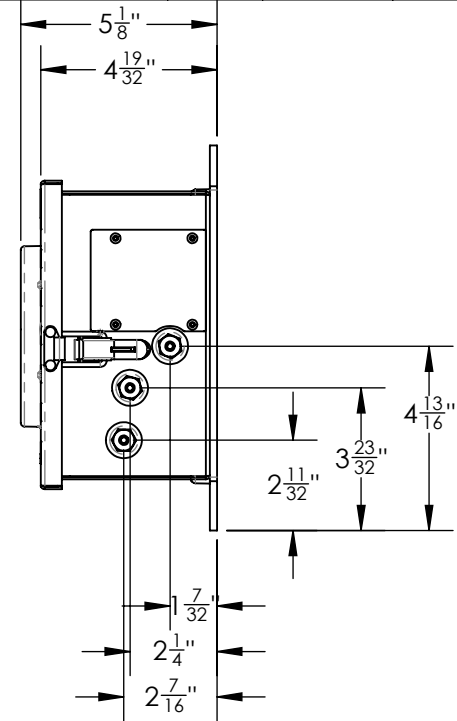
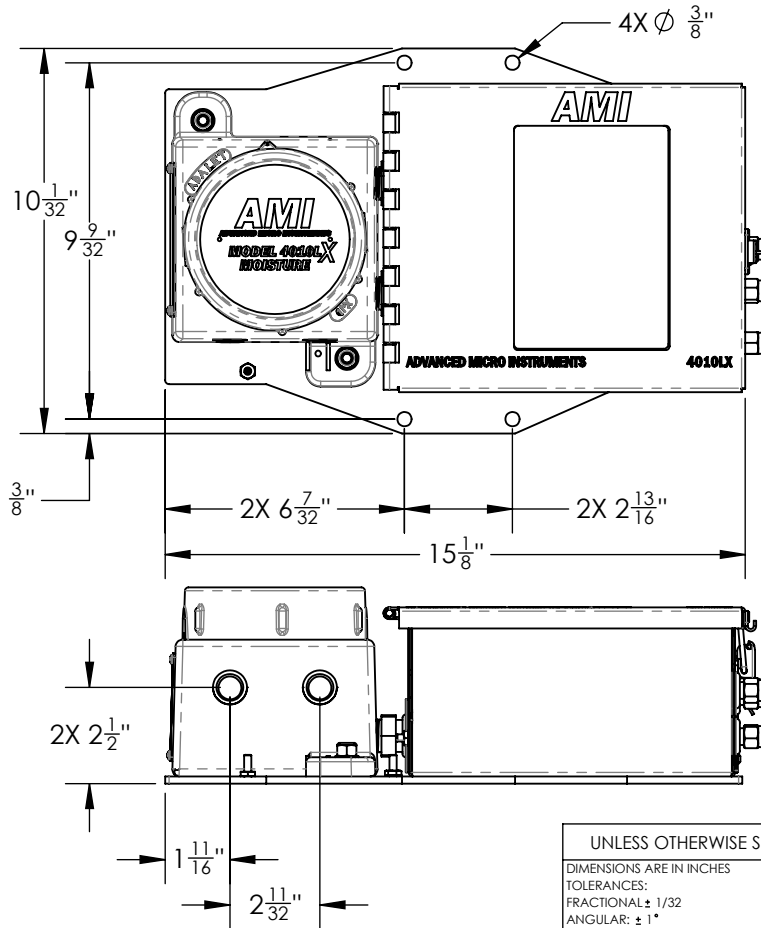


2

1

NOTES: UNLESS OTHERWISE SPECIFIED

REVISIONS					
ZONE	REV.	DESCRIPTION	ECO	DATE	APPROVED
	A	INITIAL RELEASE	10578	9/17/2021	JR



B

B

A

A

**PROPRIETARY AND CONFIDENTIAL**  
 THIS DOCUMENT IS THE PROPERTY OF  
 ADVANCED MICRO INSTRUMENTS INC. AND IS  
 CONVEYED WITH THE EXPRESS CONDITION THAT  
 IT AND THE INFORMATION CONTAINED IN IT ARE  
 NOT TO BE USED, DISCLOSED, OR REPRODUCED  
 IN WHOLE OR IN PART, FOR ANY PURPOSE  
 WITHOUT THE EXPRESS WRITTEN CONSENT OF  
 ADVANCED MICRO INSTRUMENTS INC., AND  
 THAT NO RIGHT IS GRANTED TO DISCLOSE OR SO  
 USE ANY INFORMATION CONTAINED IN SAID  
 DOCUMENT.

UNLESS OTHERWISE SPECIFIED: DIMENSIONS ARE IN INCHES TOLERANCES: FRACTIONAL ± 1/32 ANGULAR: ± 1° .x ± 0.050 .xx ± 0.010 .xxx ± 0.005 BREAK EDGES AND REMOVE BURRS: R.005/.005X45° SURFACE FINISH: $\checkmark$ <sub>64</sub> INTERPRET GEOMETRIC TOLERANCING PER: ANSI Y14.5M-1994 MATERIAL: FINISH:		NAME JR	DATE 9/17/21
	DRAWN		
	CHECKED	-	-
	ENG APPR.	-	-
	MFG APPR.	-	-
	QA APPR.	-	-
	THIRD ANGLE PROJECTION		
	COMMENTS:		

<b>Advanced Micro Instruments, Inc.</b>			
TITLE: Model 4010LX-DC-Moisture			
E-FILE 4DOD3605			
SIZE <b>A</b>	DWG. NO. <b>4DOD3605</b>	REV <b>A</b>	
SCALE: 1:5	WEIGHT:	SHEET 1 OF 1	

2

1