

EXTREME WEATHER ENCLOSURE



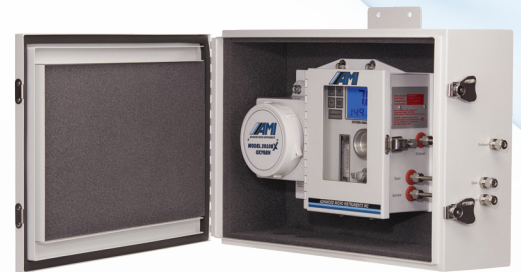
ANALYZER PROTECTION IN ENVIRONMENTS AS COLD AS -40 °F

The **Extreme Weather Enclosure** provides additional climate protection for AMI's permanent mount Oxygen, H₂S and Moisture Analyzers. This NEMA 4X enclosure is designed for worry-free operation of your Analyzer in sub-zero temperatures as well as adds an additional level of protection in wet, windy and dusty weather. It is predrilled, insulated, powder coat-painted and supplied pre-plumbed to the Analyzer for a quick and easy installation.



EXPANDS THE LOCATIONS FOR INSTALLATION

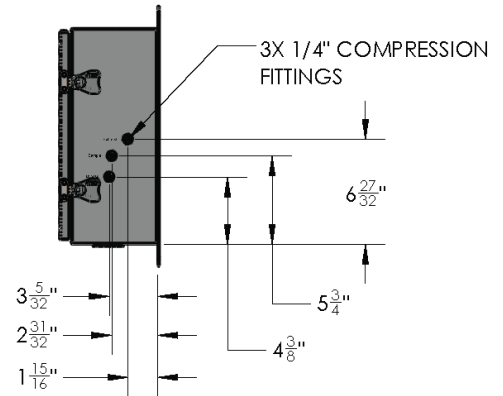
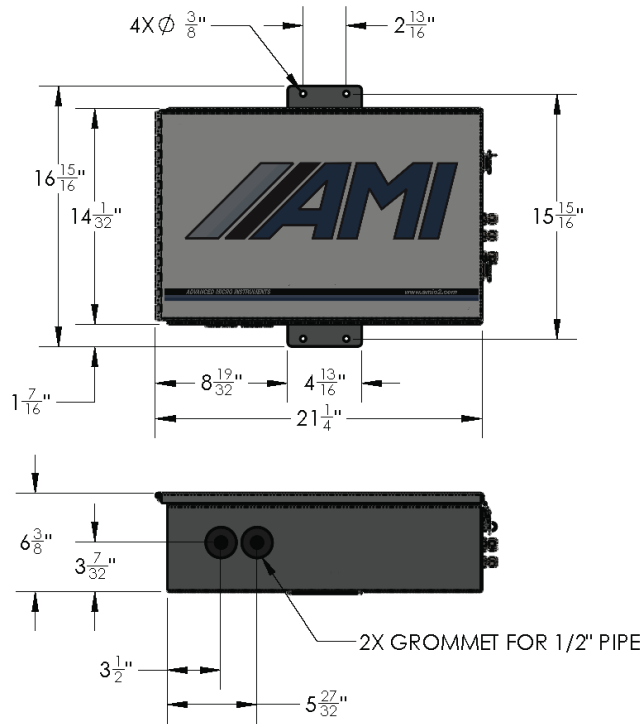
The heated configurations of AMI's **2010BX**, **210BX** and **3010BX** Gas Analyzers can operate in temperatures as low as -20 °F. However, there are pipelines in harsher environments where the temperatures can drop even lower. Installing AMI's heated configurations with the **Extreme Weather Enclosure** permits some AMI Analyzers to continue performing gas measurements when the climate gets as cold as -40 °F.



A new AMI Analyzer can be ordered pre-installed in the **Extreme Weather Enclosure** or the enclosure can be ordered separately for retrofitting an existing AMI Analyzer.

EXTREME WEATHER ENCLOSURE

DIMENSIONAL SPECIFICATIONS & INSTALLATION



WEIGHT (without Analyzer): 13 lbs (5.9 kg)

MATERIALS OF CONSTRUCTION

Enclosure: Power-coated aluminum

Fittings & Latches: 300 Series stainless-steel

ANALYZER INSTALLATIONS

The **Extreme Weather Enclosure** is available for the heated configurations of the **2010BX**, **210BX** and **3010BX** and will permit operation in temperatures as low as -40°F . The **BARRACUDA MODEL 4010LX** TDL Moisture Analyzer can also be installed in the **Extreme Weather Enclosure** to achieve an expanded operating temperature range.



With MODEL 2010BX



With MODEL 3010BX



With MODEL 4010LX

225 Paularino Avenue
Costa Mesa, CA 92626

714.848.5533

www.amio2.com

AMI
ADVANCED MICRO INSTRUMENTS